

# MARITEX SW-RLSM102A3

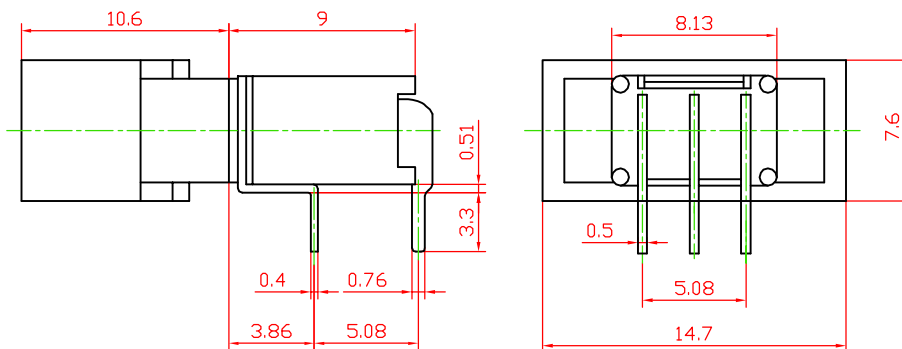
## Sub-Miniature Rocker And Lever Switches

(TYPE): SRLS-102-A3

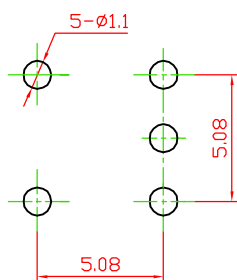
### Specification

- 1.(Rating): 3A 125V AC; 1.5A 250V AC
- 2.(Contact R): 20 OHM max
- 3.(Insulation R): 500V DC1000 OHM min
- 4.(Dielectric Strength): 1 Minute 1000V AC
- 5.(Operating Temperature):  $-20^{\circ}\text{C}+65^{\circ}\text{C}$
- 6.(Electrical Life): 20.000 Cycles

### Outline Drawing



### Mounting



### Circuitry

