

MARITEX SW-RLS102E5

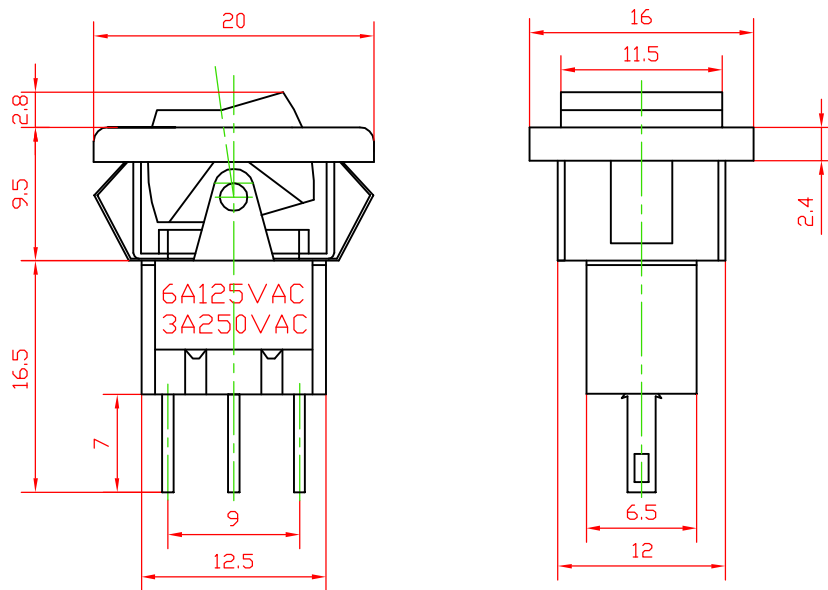
Miniature Rocker and Lever hander Switch

<TYPE>:RLS-102-E5

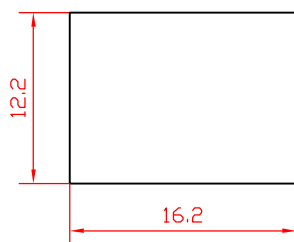
Specification

- 1.(Rating): 6A 125VAC; 3A 250VAC
- 2.(Contact R): 20 OHM \varnothing max
- 3.(Insulation R): 500VDC 1000 OHM \varnothing min
- 4.(Dielectric Strength): 1 Minute 1500V AC
- 5.(Operating Temperature): $-55^{\circ}\text{C}+85^{\circ}\text{C}$
- 6.(Electrical Life): 20.000 Cycles

Outline Drawing



Mounting



Circuitry

